

CarLED Installations and wiring guide

Version 1.1



U-Tron® CarLED® with CamEye® is consisting of 3 major parts.

1. HDTV Surveillance POE Camera;
2. Wireless Antenna with POE hub,
3. LED Area Light.

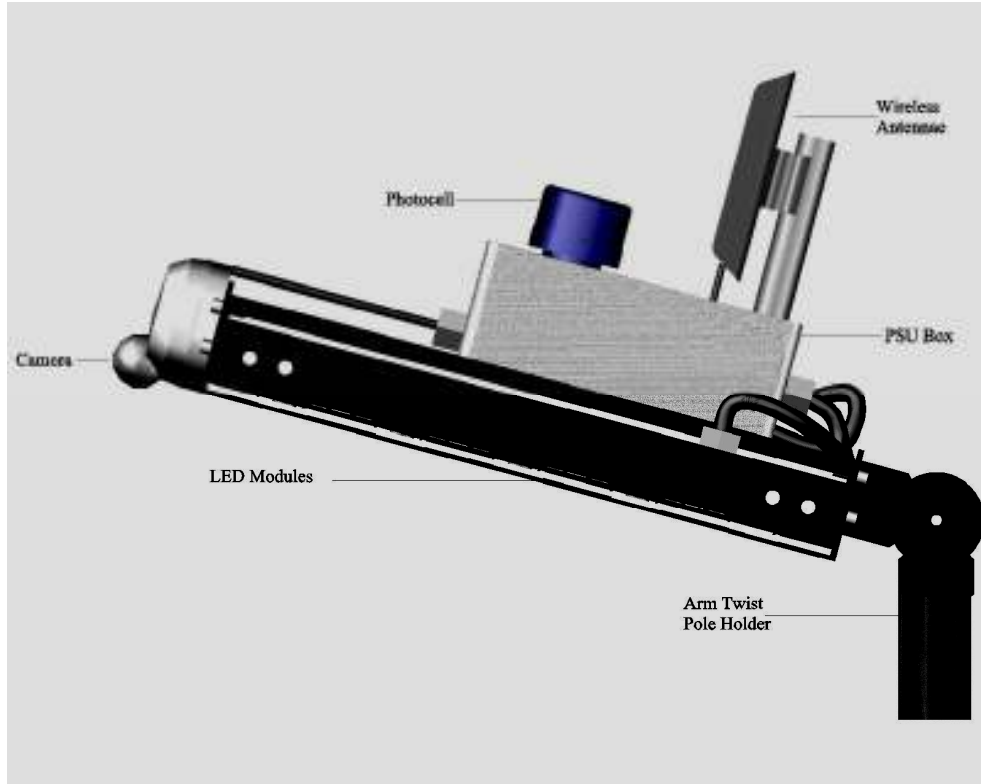


Figure 1

Please make yourself familiar with the above picture and carefully remove the top Styrofoam from the box and place it on a flat table or a work bench. We are going to place the light on it to protect its lens on the bottom from scratches while we are doing the assembly.

Unpacking

1. Take out all the contents from the shipping box and place them nearby for easy access during the assembly. Identify each and every item on the packing list. If any items are missing or damaged, please notify us immediately.
2. Now take out the CarLED and place it on the Styrofoam lenses facing down. Be very careful not to leave any hard objects in between the Styrofoam and the light. Permanent damage to the lens can affect the light performance significantly.

Tools needed:



Figure 2



Mid size Screwdriver: Flat.
 Mid size Screwdriver: Philips.
 Pliers.



Figure 3

Camera Installation:

1. Open the top cover of the PSU by removing the 4 screws on top each corner. Save them for later use.
2. The camera is shipped in a separate box. Please take it out and the contents. We have already installed the camera base piece on the light. Now we need to install the camera to this base.
3. The camera has an IP67 power over Ethernet cable. We need to securely attach this cable to the front of the PSU where a mating copper nut is already in place. Please secure the cable before inserting the internal RJ45 cable which is attached to the POE 48V POE (Power over Ethernet) do not interchange any of these cables. LAN cable is attached to the smaller black box which is a 24 V POE hub, which will be used for the antennae (see below)
4. You will need a special black HEX Allen wrench with a hole in the center and 4 screws (Packed in a plastic bag together with other prying tool, Lens handler and 4 screws) first remove the cover from the camera, and use the black prying tool as shown in the photo to open the 2 screws from the cover. Save the contents, and then attach the camera to the base unit (4 screws) on the light by aligning the camera to point downwards. These are not the ordinary screws and if they are lost please call us, do not replace with standard screws.
5. Any excess wire from the POE cable can be also tucked inside this base piece to make the tidy.

Antenna installation

1. Take out the contents from the antenna box and the mounting pipe. We need to install the rod and the pipe to the PSU's top cover. Please attach the rod as shown in the figure 6. There is a washer once the rod is secured to the PSU cover, we can insert the stainless steel pipe and use the large washer and locking washer and the round tip not and firmly secure the pipe to the PSU top cover as shown in the figure.
2. The Antenna comes with a stainless steel fastener. Open the cover on the antenna. Insert the antenna unit from the top of the pipe and use a flat screwdriver and fasten it. We may need to adjust the height accordingly so do not tighten it all the way.
3. Now installed the black outdoor Ethernet cable into the bottom of the unit where there is a RJ45 socket. And put the cover back on and make sure the latch is in place.



Figure 7



Figure 9



Figure 4



Figure 5



Figure 6

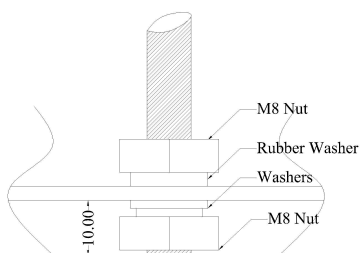


Figure 8

Photocell installation

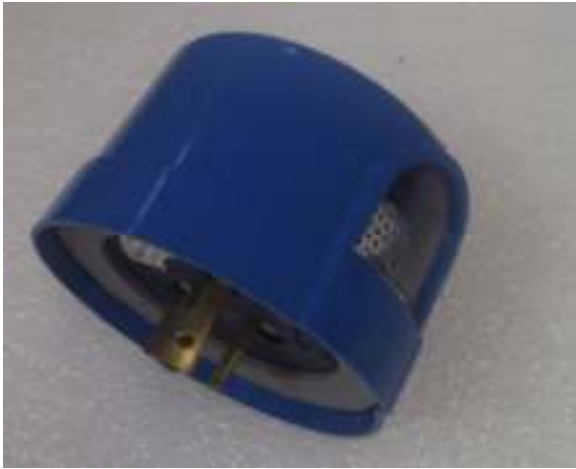


Figure 10

1. U-Tron uses industry standard and UL approved Photocell and NEMA approved receptacles in all our outdoor products. This is an optional product and must be ordered at the time of placing orders. The lights will be shipped with the receptacles already installed. All you need to do is, insert the photocell, push and turn 15 degrees. The receptacles have 3 prongs one is wider than the other 2 pins and the photocell will enter only when the pins are properly aligned.
2. The arrow on the receptacles must be turned to face the north. This way the light will function automatically from dusk-to-dawn.

3. The photocells can be adjusted to change the start time by opening and moving the grid in front of the PV circuit.

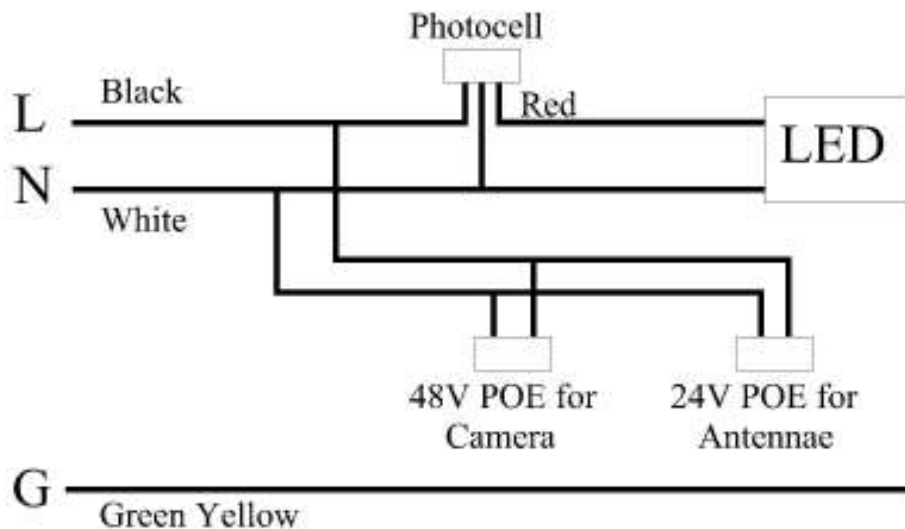


Figure 11

Power cord:

The power cord is attached to the units which are already cut for into indoor outlets for testing purpose. You can use this power cord to power up the unit. PLEASE READ ALL THE WARNINGS BEFORE POWERING UP.

Before powering up:

1. Do a visual inspection to see any loose wire or connectors inside the PSU box during the shipping process. If you see any loose wire DO NOT PLUG IN THE UNIT and call an electrician for assistance. He will need all the drawings and this instruction manual for conducting any repairs. We are always available to assist him.
2. We advise you to remove the Photocell while we are testing the Camera and the Antenna.

3. Raise the Lamp to avoid any direct contact with the Styrofoam. The Styrofoam will burn and cause injury if it's left close contact to the light. You may need 2 chairs or a stand that can hold the load the lights like the way they will be installed on a pole.
4. After removing the photocell you can plug in the power cord to test the camera and the antenna.

Testing the Camera and the Antenna:

1. After removing the Photocell you can power up the unit and proceed to the next step.
2. At this time the LED lights should not be working. But the antenna and camera are functioning.
3. Take any Laptop with wireless capabilities and search for the SSID called UTRON
4. Connect to UTRON using the password 0123456789
5. Change the IP address on your Laptop to 192.168.0.xxx and subnet 255.255.255.0
 - a) If you need help to do this please go to the following link:
<http://www.howtogeek.com/howto/19249/how-to-assign-a-static-ip-address-in-xp-vista-or-windows-7/>
 - b) You can ignore the rest of the settings.
6. Open your browser and enter 192.168.0.70 (the IP address of the camera)
7. Now you must see on your screen what ever the camera sees .

If you have problems or not seeing the images then unplug the unit and call U-Tron service for trouble shooting.

Testing the LED light:

1. This can be done only if the light is securely sitting on a pole or rack with out any objects touching the lenses.
2. Attach the Photocell (reference details above)
3. Plug in the power cord. And the lights should be working if the room is not too bright. If the room is bright the photocell is sensing as it's in the day time and has turned off the light. IF you cover the window on the Photocell with your hand the light should come on.

For shipping purposes the arm twist is twisted upward, use the Allen key wrench to loosen the bolts and turn it into 180 degrees or at any angle. There is an extra arm twist with a wider diameter suitable for wider poles greater than 50-60mm diameter.



Some useful information you may need in case of troubleshooting:

1. Camera:

- a) Model number: Axis M3114-R
- b) MAC address: n/a
- c) P/N: 0342-001-03
- d) Username/Password : root/pass
- e) IP address: 192.168.0.70
- f) Serial number 00408CC75CC7:

2. Antenna:

- a) Model Number: NanoStation loco M2
- b) 2.4GHz Indoor/Outdoor AirMax 8dBi CPE
- c) MAC address: 1246G DC9FDB30E327
- d) Username/Password: ubnt/ubnt
- e) IP address: 192.168.0.21
- f) Chanel width: 20 MHz
- g) Working mode: Access Point

SSID: UTRON